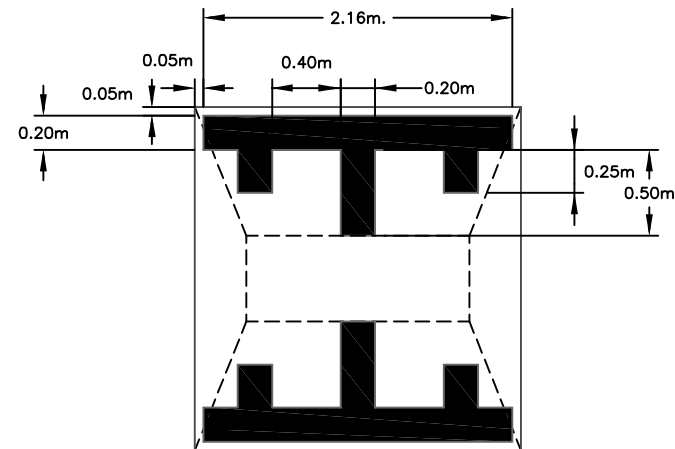


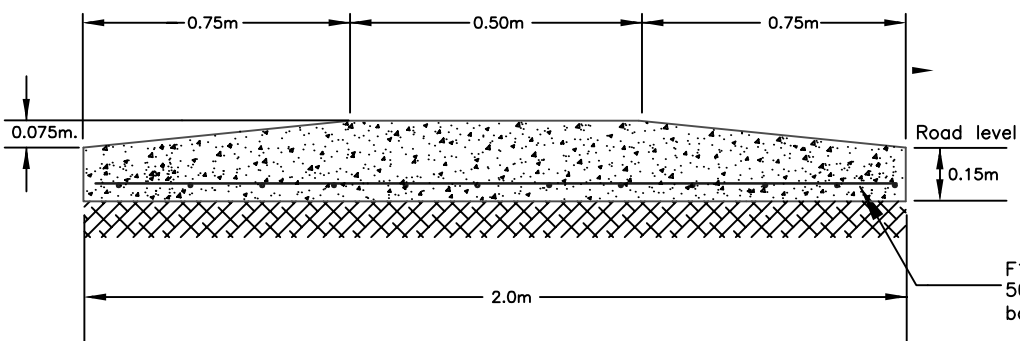
PLAN VIEW



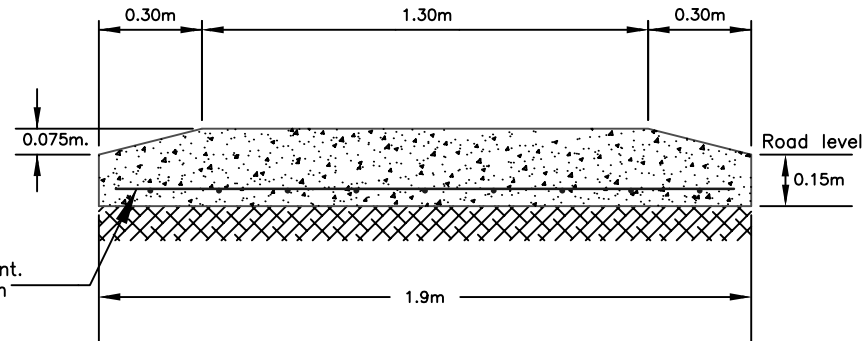
LINEMARKING DETAIL

NOTES :

- All concrete to be black coloured with rough surface finish.
- Place ramp on 100mm min. compacted Cl.3 20mm F.C.R.
- Linemarking paint to be Dulux's Weathermax (or equivalent) HBR, 2-pack acrylic topcoat, apply a non-metallic abrasive between the coats or on the finish coat.



SECTION B-B



SECTION A-A

CITY OF BALLARAT

No.	AMENDMENTS	DATE

Approved by:—  
Date:

CONCRETE PRE-CAST SPEED RAMP  
AND LINE MARKING DETAIL



SCALE:  
NOT TO SCALE  
SHEET 1 OF 1  
DRAWING NO:  
SD-T5