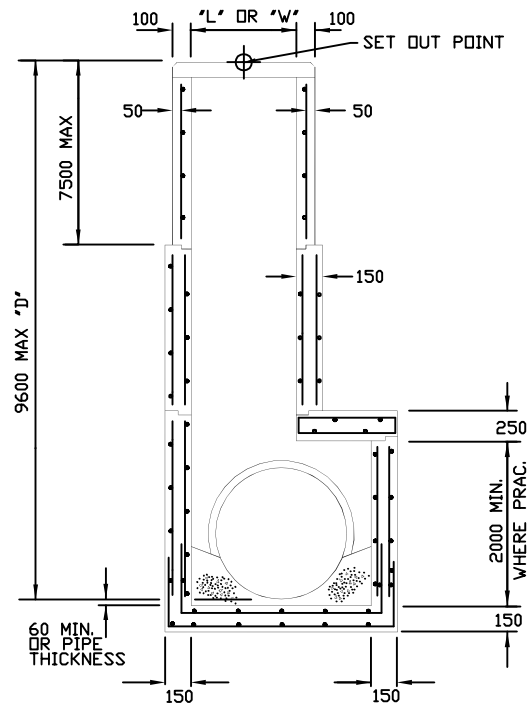
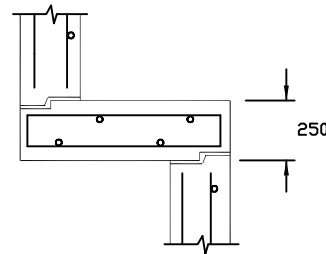


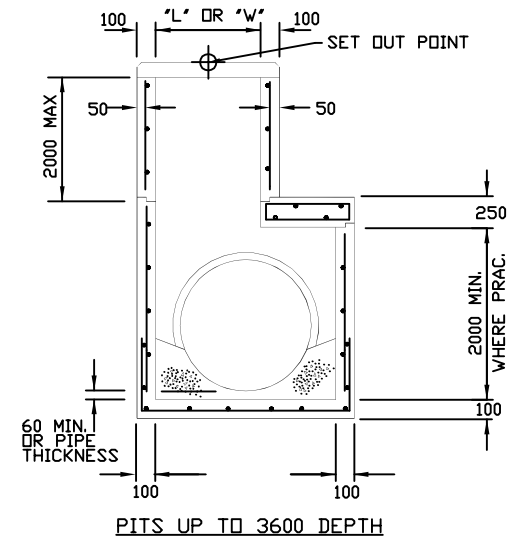
PITS 7201 TO 10800 DEPTH



PITS 3601 TO 7200 DEPTH



CORBELL BLOCK
ENLARGED DETAIL



PITS UP TO 3600 DEPTH

NOTES:

- HAUNCHING MAY BE REQUIRED FOR PIPES OVER 450 DIA, REFER TO PIT SCHEDULE FOR SIZES OF SPECIFIC PITS. PITS WITH HAUNCHING IN TWO DIRECTIONS.
- VIC PITS ARE MANUFACTURED UNDER QUALITY PROCEDURES AND ENGINEERED COMPUTATIONS WHICH COMPLY WITH THE AUST ROADS BRIDGE DESIGN CODE 1992 WHICH STATE:
 - COMBINED FACTORED LATERAL PRESSURE AT ANY POINT AT THE ULTIMATE LIMIT STAGE SHALL BE NOT LESS THAN 5kPa
 - ADEQUATE DRAINAGE SHALL BE PROVIDED TO PIT WALLS TO AVOID HYDROSTATIC PRESSURE
 - VERTICAL LOAD 210 kN APPLIED ANYWHERE ON PIT
 - MINIMUM REINFORCEMENT AREA SHALL BE 150 MM²/M
 - CONCRETE SHALL COMPLY WITH SECTION 610 OF VICROADS SPECIFICATIONS
- REINFORCEMENT AND CONCRETE PLACEMENT AND INSTALLATION COMPLY WITH VICROADS 610, VIC PITS 7/92, THE RELEVANT AUSTRALIAN STANDARD SPECIFICATIONS AND STRUCTURAL DESIGNS AS STATED FROM VICPITS REGISTER VP-COMP.
- PITS GREATER THAN 1200 mm SHALL BE FITTED WITH STEP IRONS.
- COVER TO SUIT EXTERNAL PIT DIMENSIONS.

CITY OF BALLARAT

ALL DIMENSIONS ARE IN MILLIMETRES	
No.	AMENDMENTS

Approved by:

Date:

PRE-CAST HAUNCHED PITS CONCRETE COVER



SCALE: NOT TO SCALE
SHEET 1 OF 2
DRAWING NO: SD-P4-1