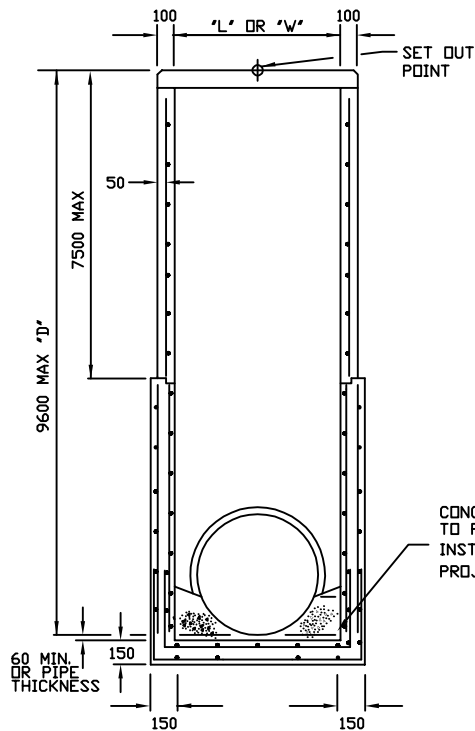
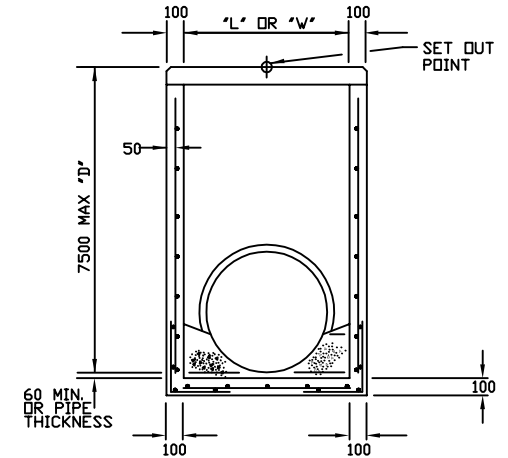


PITS 7501 TO 10500 DEPTH



PITS 7500 TO 9600 DEPTH

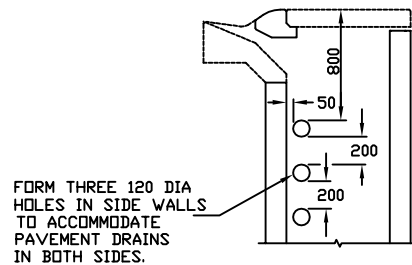


PITS UP TO 7500 DEPTH

CONCRETE SHAPED IF REQ.
TO PIPE INVERT AFTER
INSTALLATION TO
PROJECT SPECIFICATION.

NOTES:

1. HAUNCHING MAY BE REQUIRED FOR PIPES OVER 450 DIA, REFER TO PIT SCHEDULE FOR SIZES OF SPECIFIC PITS. PITS WITH HAUNCHING IN TWO DIRECTIONS.
2. VIC PITS ARE MANUFACTURED UNDER QUALITY PROCEDURES AND ENGINEERED COMPUTATIONS WHICH COMPLY WITH THE AUST ROADS BRIDGE DESIGN CODE 1992 WHICH STATE:
 - COMBINED FACTORED LATERAL PRESSURE AT ANY POINT AT THE ULTIMATE LIMIT STAGE SHALL NOT BE LESS THAN 5kPa.
 - ADEQUATE DRAINAGE SHALL BE PROVIDED TO PIT WALLS TO AVOID HYDROSTATIC PRESSURE.
 - VERTICAL LOAD 210 kN APPLIED ANYWHERE ON PIT.
 - MINIMUM REINFORCEMENT AREA SHALL BE 150 MM /M
 - CONCRETE SHALL COMPLY WITH SECTION 610 OF VICROADS SPECIFICATIONS.
3. REINFORCEMENT AND CONCRETE PLACEMENT AND INSTALLATION TO COMPLY WITH VICROADS 610, VICPITS 7/92, THE RELEVANT AUSTRALIAN STANDARD SPECIFICATIONS AND STRUCTURAL DESIGNS AS STATED FROM VICPITS REGISTER VP-COMP.
4. PITS GREATER THAN 1200mm SHALL BE FITTED WITH STEP IRONS.
5. COVER TO SUIT EXTERNAL PIT DIMENSIONS.



FORM THREE 120 DIA HOLES IN SIDE WALLS TO ACCOMMODATE PAVEMENT DRAINS IN BOTH SIDES.

VICPITS PRECAST PIT (WHERE REQUIRED)

CITY OF BALLARAT

| No. | AMENDMENTS | DATE |
|-----|------------|------|
| | | |
| | | |
| | | |
| | | |

Approved by: _____
Date: _____

PRECAST UNHAUNCHED PITS CONCRETE COVER



SCALE:
NOT TO SCALE
SHEET 1 OF 2
DRAWING NO:
SD-P3-1