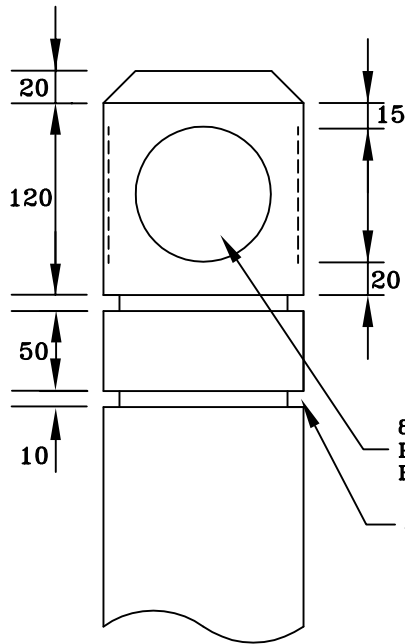


PLAN.

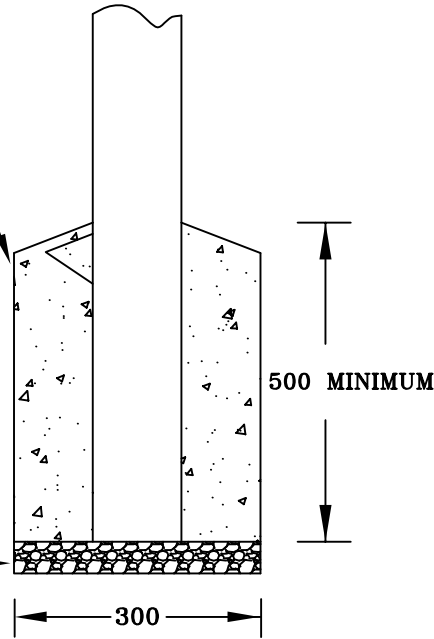


DETAIL 1

85mm DIAMETER  
PROVIDE 5mm REBATE FOR  
REFLECTORS AS REQUIRED.  
10mm DEEP REBATE

20 MPa CONCRETE  
SLOPED AWAY FROM  
POST.

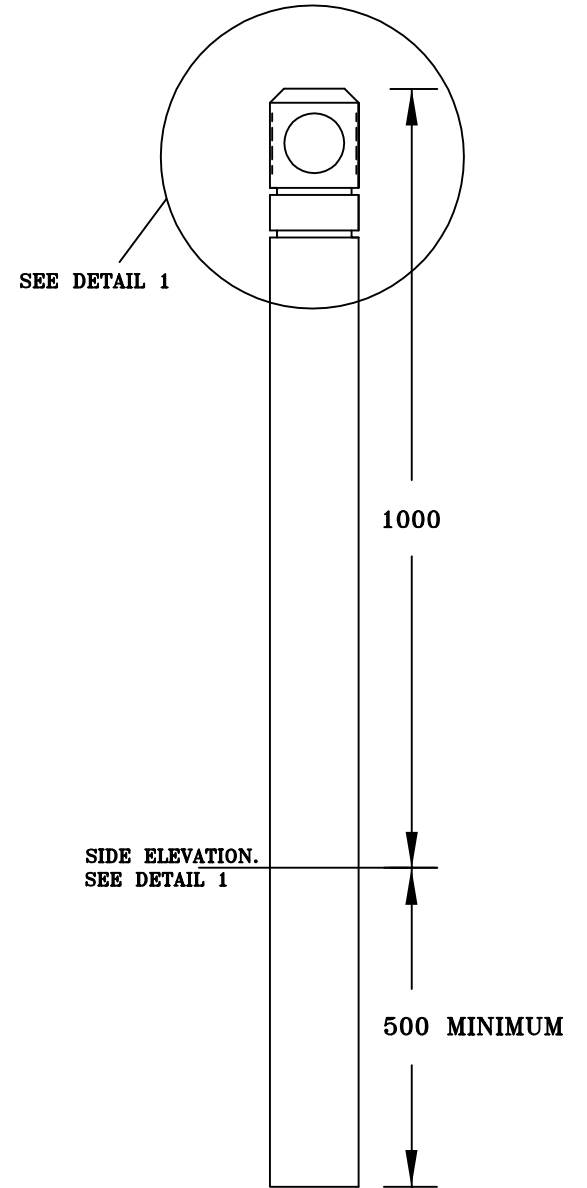
50mm OF 20mm  
SCREENINGS



FOOTING TO BE 300 X 300 X 500 DEEP

FOOTING DETAIL

NOTE:  
COLOR SCHEME AS NOMINATED.  
TIMBER TO BE SELECTED FROM CYPRESS  
PINE, RED GUM, IRON BARK OR AS  
NOMINATED.



SIDE ELEVATION.  
SEE DETAIL 1

500 MINIMUM

# CITY OF BALLARAT

Approved by:

## TIMBER BOLLARD DETAIL



SCALE:  
NOT TO SCALE

SHEET 1 OF 1

DRAWING NO:

SD-L8

No.	AMENDMENTS	DATE

Date: