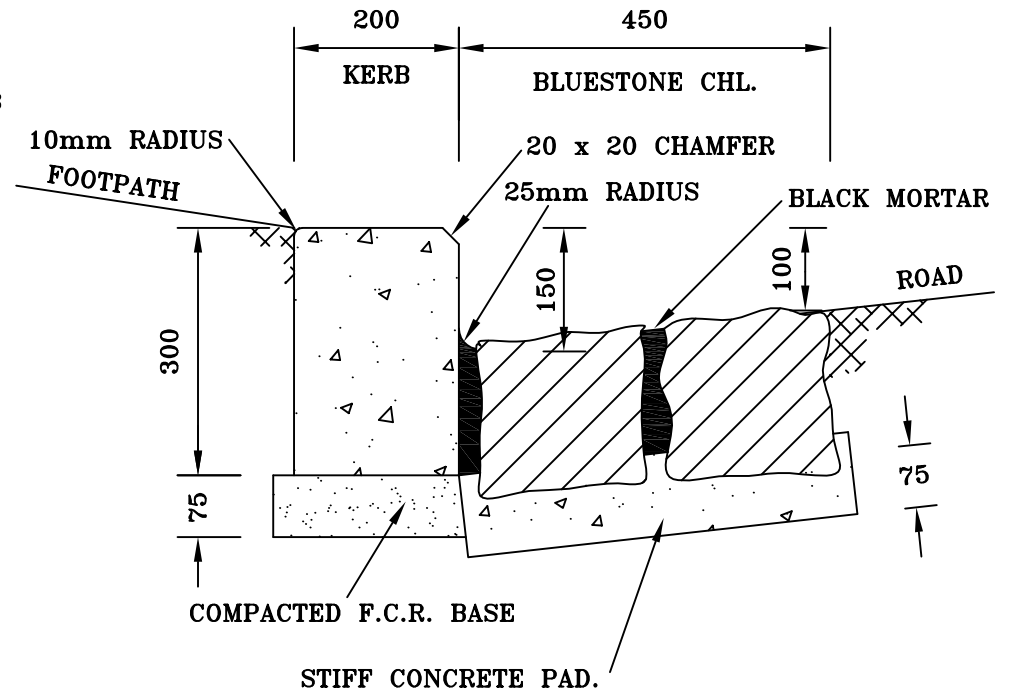


1. STREETSCAPE KERB



2. STREETSCAPE KERB AND BLUESTONE CHANNEL

NOTE:-

1. JOINTS TO BE PLACED @ 1.8M CENTRES.
2. WOOD FLOAT FINISH.

CONCRETE MIX

PROGRESSIVE TOTALS.

- 550Kg - 7mm PEBBLES.
- 830Kg - 14mm BLUESTONE.
- 1730kg - BORAL COARSE SAND.
- 1820Kg - ARARAT FINE SAND.

PLUS 250Kg CEMENT
AND APPROPRIATE ADDITIVE
TO BE 20MPA @ 28 DAYS.

CITY OF BALLARAT

No.	AMENDMENTS	DATE

Approved by:

Date: 12/01/1999

STREETSCAPE KERB
AND BLUESTONE CHANNEL



SCALE:
NOT TO SCALE
SHEET 1 OF 3
DRAWING NO:
SD-K5-1