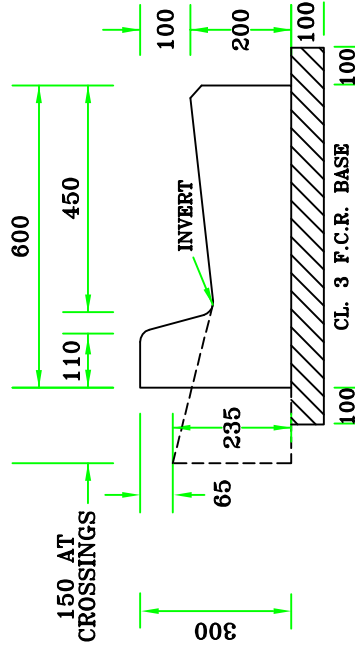
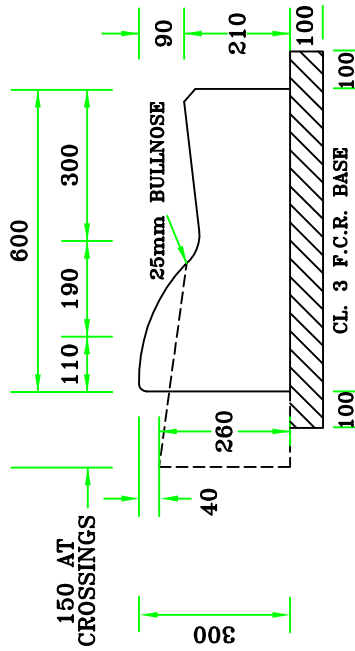


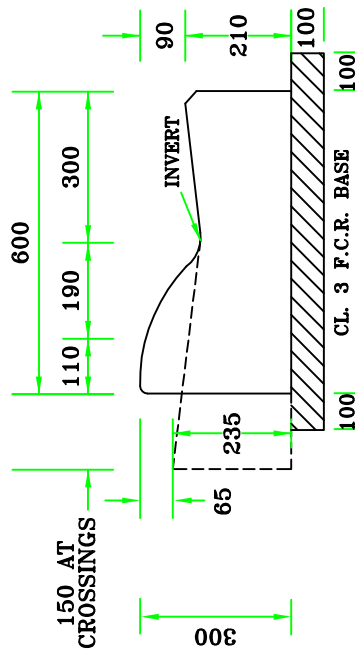
No.2 (A) BARRIER KERB AND CHANNEL
WITH LAYBACK FOR REVERSE FALL



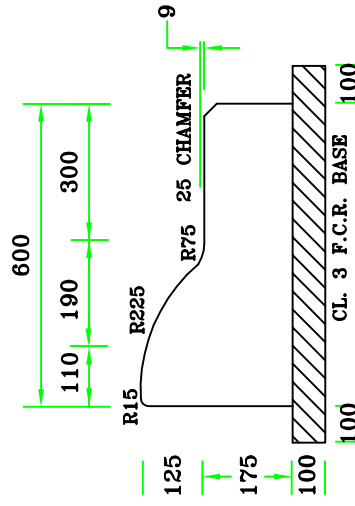
No.2 (B) BARRIER KERB AND CHANNEL
WITH LAYBACK FOR POSITIVE FALL



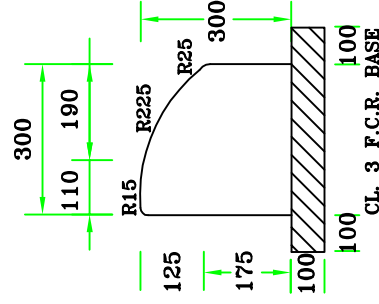
No.4 (A) SEMI MOUNTABLE KERB AND CHANNEL
VICROADS TYPE SM2
WITH LAYBACK FOR REVERSE FALL



No.4 (B) SEMI MOUNTABLE KERB AND CHANNEL
VICROADS TYPE SM2
WITH LAYBACK FOR POSITIVE FALL



No.4R SEMI MOUNTABLE KERB AND CHANNEL
VICROADS TYPE SM3



No.6 KERB AND CHANNEL
VICROADS TYPE SM1

CITY OF BALLARAT

Approved by:

Note: All dimensions are in millimeters	
No: 2 & 4 MODIFIED	OCT 12
REMOVED No: 3 TYPE	OCT 12
No. AMENDMENTS	DATE:



STANDARD KERB SECTIONS

SCALE:	NOT TO SCALE
SHEET	1 OF 1
DRAWING NO:	SD-K1