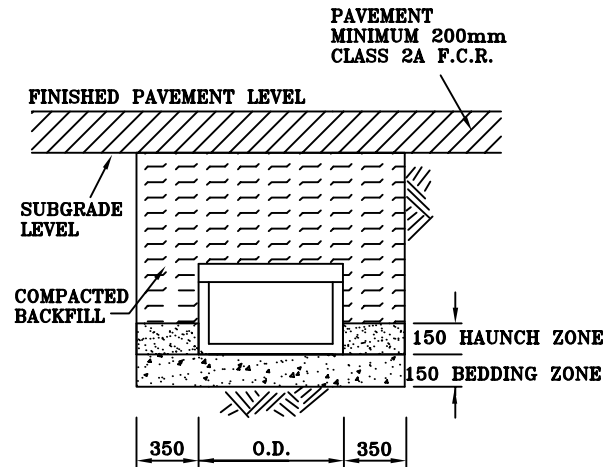


NOTE:

1. COMPACTED BACKFILL TO BE CLASS 3 F.C.R.
2. HAUNCH ZONE TO BE 20mm AGGREGATE MATERIAL AS SPECIFIED.
3. BEDDING ZONE TO BE CLASS 3 F.C.R. COMPACTED DEPTH TO BE 150mm.
4. ALL DIMINSIONS ARE IN MILLIMETRES.

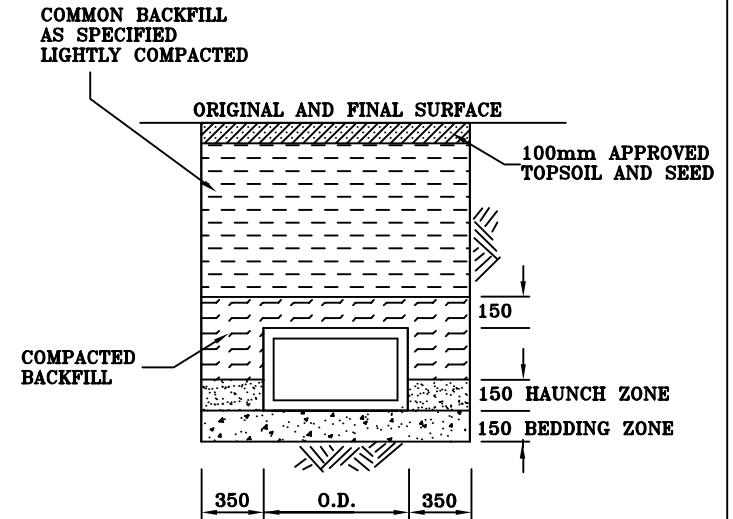
A. ROAD PAVEMENT



NOTE:

1. COMPACTED BACKFILL TO BE RED DREDGE GRAVEL.
2. HAUNCH ZONE TO BE 20mm AGGREGATE MATERIAL AS SPECIFIED.
3. BEDDING ZONE TO BE CLASS 3 F.C.R. COMPACTED DEPTH TO BE 150mm.
4. BACK OF KERB 100mm SOIL INSTEAD OF CLASS 2A F.C.R. UNLESS OTHERWISE SPECIFIED.
5. ALL DIMINSIONS ARE IN MILLIMETRES.

B. ROAD SHOULDERS



NOTE:

1. COMPACTED BACKFILL TO BE RED DREDGE GRAVEL.
2. HAUNCH ZONE TO BE 20mm AGGREGATE MATERIAL AS SPECIFIED.
3. BEDDING ZONE TO BE CLASS 3 F.C.R. COMPACTED DEPTH TO BE 150mm.
4. ALL DIMINSIONS ARE IN MILLIMETRES.

C. NATURESTRIPS

COMPULSORY MEASURES FOR THE PROTECTION OF TRENCHES 1.5m OR MORE IN DEPTH ARE TO COMPLY WITH THE REQUIREMENTS OF THE MINES ACT 1958, THE OCCUPATIONAL HEALTH AND SAFETY ACT, ALL OTHER RELEVANT REGULATIONS, AND MUST INCLUDE THE NOMINATION OF A MANAGER OF THE TRENCH.

CITY OF BALLARAT

No.	AMENDMENTS	DATE

Approved by: _____
Date: _____

TRENCH DETAILS FOR R.C. BOX CULVERTS



SCALE:
NOT TO SCALE
SHEET 3 OF 3
DRAWING NO:
SD-D8-3