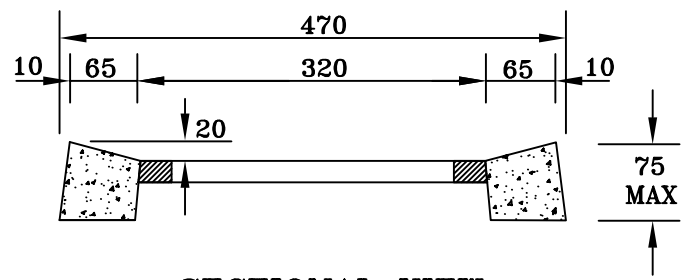
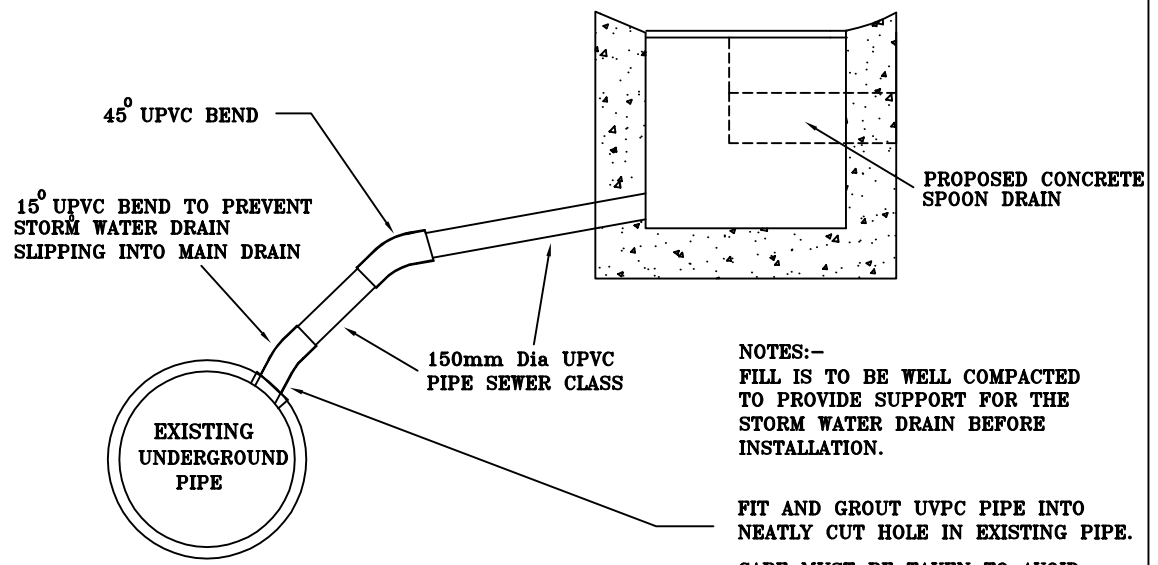


PLAN VIEW



SECTIONAL VIEW
PIT LID AND GRATE INSERT

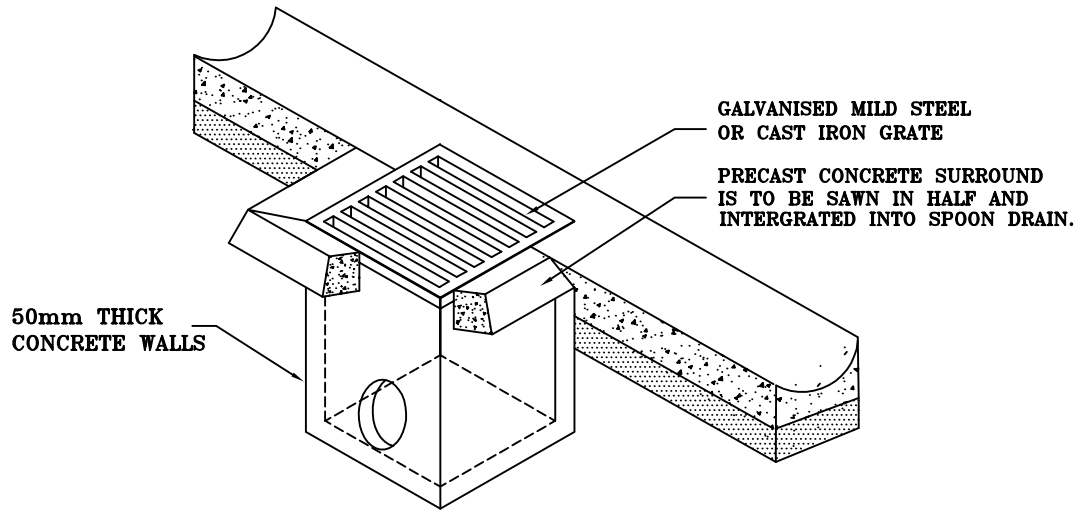
NOTE: ALL DIMINSIONS ARE IN MILLIMETRES



SECTIONAL VIEW

NOTES:-
FILL IS TO BE WELL COMPACTED TO PROVIDE SUPPORT FOR THE STORM WATER DRAIN BEFORE INSTALLATION.

FIT AND GROUT UPVC PIPE INTO NEATLY CUT HOLE IN EXISTING PIPE. CARE MUST BE TAKEN TO AVOID ANY PROJECTION INTO MAIN PIPE.



ISOMETRIC VIEW

CITY OF BALLARAT

			Approved by:
No.	AMENDMENTS	DATE	Date:

CONCRETE SPOON DRAIN AND PITS
FOR REVERSE FALL NATURESTRIPS



SCALE:	NOT TO SCALE
SHEET	1 OF 1
DRAWING NO:	SD-P9