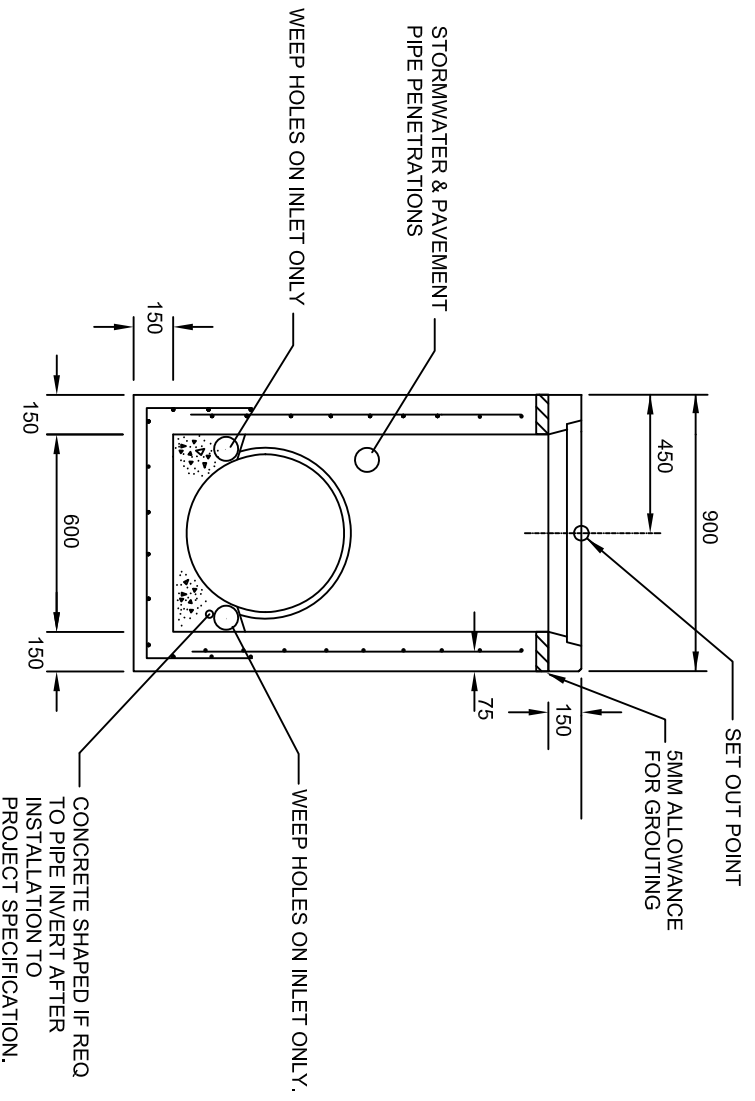


PLAN



SECTION B-B

- NOTES:
1. HAUNCHING MAY BE REQUIRED FOR PIPES OVER 450 DIA, REFER TO PIT SCHEDULE FOR SIZES OF SPECIFIC PITS. PITS WITH HAUNCHING IN TWO DIRECTIONS REQUIRE SPECIAL STRUCTURAL DESIGN.
  2. PIT REINFORCEMENT - F92 FABRIC. FABRIC IN SHAFT SHALL HAVE THE MAIN BARS POSITIONED HORIZONTALLY. LAPS TO BE 300 MIN. CLEAR COVER TO BE 50 MIN. CORNER RETURN REINFORCEMENT MAY BE FABRIC OR EQUIVALENT BARS. BARS GRADE 400Y TO AS 1302/1991, FABRICS TO AS 1304/1991. CONCRETE GRADE TO BE 25 MPa.
  3. REINFORCEMENT NOT REQUIRED FOR PIT DEPTHS 0 - 1200 UNLESS PIT IS TO BE CONSTRUCTED IN TRAFFICKED AREAS, THEN F72 REINFORCEMENT IS TO BE USED.

ALL DIMENSIONS ARE IN MILLIMETRES


# CITY OF BALLARAT

1	REMOVED KERB & CHANNEL	10/11/98
2	NOTES	18/01/99
3	F72 REQUIREMENT DELETED FOR 1200 AND UNDER PITS	13/11/03
	Notes on weepholes amended	13.8.18
No.	AMENDMENTS	

Approved by:

Date:

## INSITU JUNCTION PIT WITH PRECAST CONCRETE COVER & SURROUND



CITY OF BALLARAT

SCALE: **NOT TO SCALE**

SHEET 2 OF 2

DRAWING NO: **SD-P10-2**

DEPTH	REINFORCEMENT	INTERNAL DIMENSION (mm)	ADDITIONAL INFORMATION
0-1200	SEE NOTE 3	900 X 600	-
1200-2400	F92	900 X 900	STEP IRONS
2400-UP	F1218	900 X 900	LADDER